

# Direct-Activated Back Pressure Valve (Stainless Steel #316)

Valve body is made by Stainless Steel#316 , suitable for water and air. Design of piston and diaphragm improves the inability of sustaining pressure and leakage

★ Pressure Adjusting Range : 1 kgf/cm<sup>2</sup> ~ 5 kgf/cm<sup>2</sup>  
4 kgf/cm<sup>2</sup> ~ 10 kgf/cm<sup>2</sup>

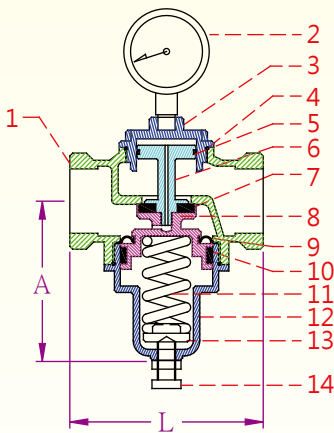
★ Special order can be arranged for higher pressure adjustment range .

★ Applied Temperature : -15 °C ~ 80 °C

▼ Valve Body Testing Pressure : 35 kgf/cm<sup>2</sup>

★ The pressure gauge display inlet pressure .

★ Extruded screw for 1" and below (1") ;  
Hidden screw for 1.5" and above (1.5") .



Model : RFT  
(Female threaded)

Size	L	A	Cv
1/2"	71	75	2.5
3/4"	86	75	4.0
1"	90	81	6.5
1 1/2"	115	115	13.0
2"	120	115	17.0

No.	Part Name	Material
1	Main Body	Stainless Steel #316
2	Pressure Gauge	-----
3	Upper Cover	Stainless Steel #316
4	O-ring	NBR / VITON
5	U-ring	NBR / VITON
6	Piston	Stainless Steel #316
7	Sealing Spacer	NBR / VITON

Unit : mm

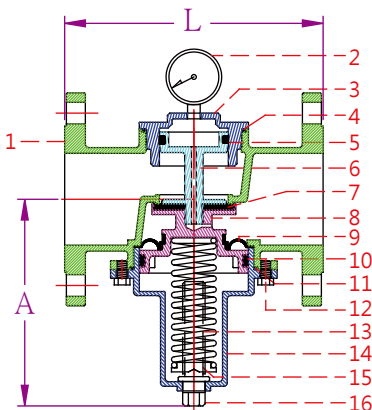
7	Shaft	Stainless Steel #316
8	Diaphragm	NBR / VITON
9	UH-ring	NBR / VITON
10	Spring	Spring Steel
11	Lower Cover	Stainless Steel #316
12	Washer	Brass
13	Adjusting Stem	Stainless Steel #304



Model : RFF  
(Flange)

Size	L	A	Cv
1/2"	150	75	2.5
3/4"	150	82	4.0
1"	150	82	6.5
1 1/2"	190	115	13.0
2"	192	115	17.0
2 1/2"	210	185	30.0
3"	225	185	42.0
4"	250	230	75.0
6"	310	290	170.0

Unit : mm



No.	Part Name	Material
1	Main Body	Stainless Steel #316
2	Pressure Gauge	-----
3	Upper Cover	Stainless Steel #316
4	O-ring	NBR / VITON
5	U-ring	NBR / VITON
6	Shaft	Stainless Steel #316
7	Sealing Spacer	NBR / VITON
8	Seat	Stainless Steel #316

9	Diaphragm	NBR / VITON
10	UH-ring	NBR / VITON
11	O-ring	NBR / VITON
12	Fixed Bolt	Stainless Steel #304
13	Spring	Spring Steel
14	Lower Cover	Stainless Steel #316
15	Washer	Brass
16	Adjusting Stem	Stainless Steel #304