

UL-BFR

series

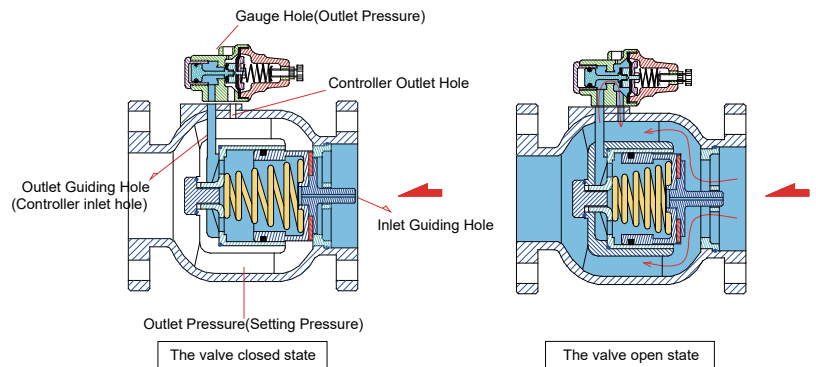
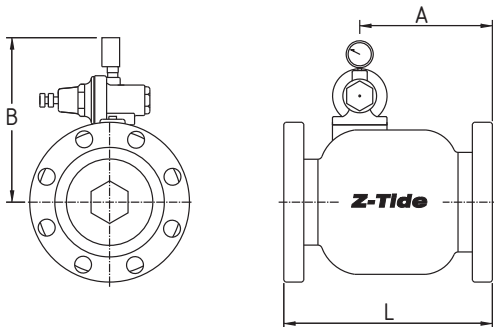
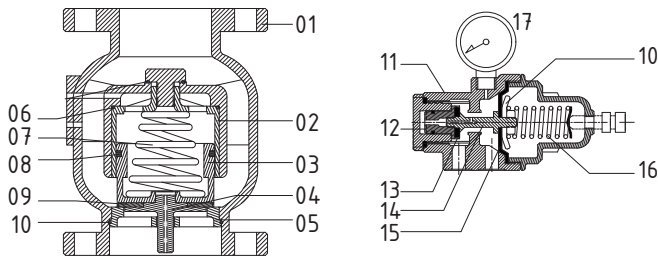


UL PRESSURE REDUCING VALVE

- Applicative units for: Hose station Feeds, Sprinkler systems, Deluge system, Foam system, Fire hydrant water supply.
- Size: 3"(DN75) to 8"(DN200)
- Working Pressure:
 - Class#300 = 300 PSI (21BAR)
 - Class#150 = 250 PSI (17BAR)
- Adjust Range: 30~100 PSI (2 - 7 BAR)
- Test Pressure: 600/500 PSI
- Working Temp.: 0°C to 80°C (32°F to 176°F)
- Valve Standard: Original Design
- Connection Standard: ANSI B16.42 Class150
- Test Standard: UL 1739



UL-BFR



ITEM	PARTS	MATERIAL
1	MAIN BODY	DUCTILE IRON
2	CYLINDER	BRONZE
3	PISTON	BRONZE
4	SHAFT	BRONZE
5	SEAT	BRONZE
6	O-RING	NBR
7	SPRING	STAINLESS STEEL
8	U-RING	NBR
9	SEALING	NBR
10	O-RING	NBR
11	PILOT MAIN BODY	STAINLESS STEEL
12	PILOT PLUG	STAINLESS STEEL
13	PILOT SEALING	NBR
14	PILOT SHAFT	STAINLESS STEEL
15	PILOT DIAPHRAGM	EPDM
16	PILOT SPRING	SPRING STEEL
17	PRESSURE GAUGE	STAINLESS STEEL

SIZES		DIMENSIONS (MM)					
Inch	mm	A	B	L	Weight(kg)	Max. Flow(GPM)	
3"	DN 75	152	205	240	24	400	
4"	DN 100	174	220	270	37	600	
6"	DN 150	208	255	335	63	1500	
8"	DN 200	296	295	450	112	3200	