

# HBS

series



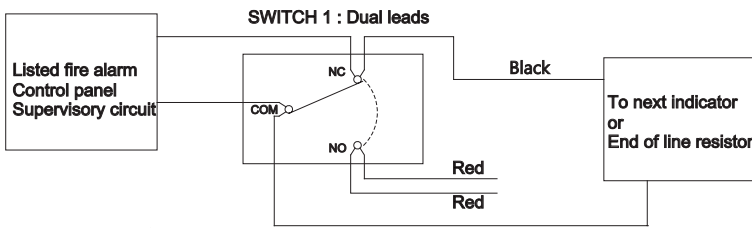
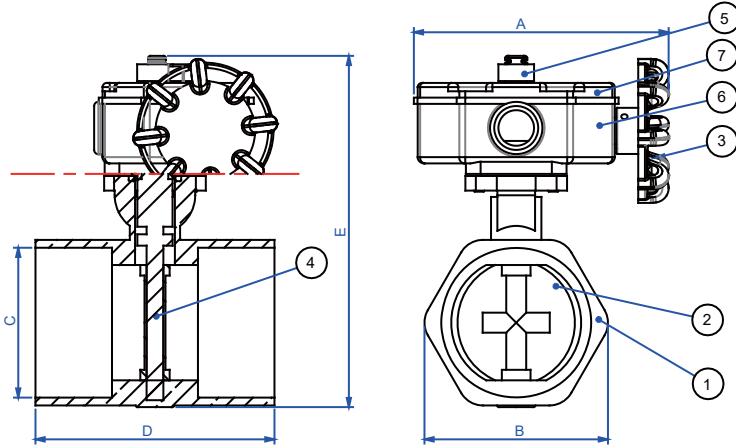
UL Signal Butterfly Valve

Working Pressure : 300PSI / 20.7Bar

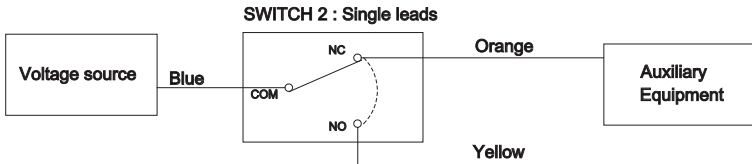
Connection: 1"~2.5" Theraded end



**HBS-300G**  
**HBS-300S**



Switch Rating : 10 AMP / 115 VAC  
5 AMP / 28 VDC



| ITEM | PARTS     | MATERIAL          |
|------|-----------|-------------------|
| 1    | BODY      | BRONZE            |
| 2    | DISC      | SS304             |
| 3    | HANDWHEEL | WCB               |
| 4    | SEAT      | VITOM             |
| 5    | INDICATOR | POWDER METALLURGY |
| 6    | HOUSING   | BRASS             |
| 7    | COVER     | BRASS             |

| SIZES |       | DIMENSIONS (MM) |      |                |      |     |
|-------|-------|-----------------|------|----------------|------|-----|
| Inch  | mm    | A               | B    | C(BSPT Thread) | D    | E   |
| 1"    | DN 25 | 120             | 44.5 | 1"             | 54   | 126 |
| 1.25" | DN 32 | 120             | 55   | 1 1/4"         | 66.7 | 130 |
| 1.5"  | DN 40 | 120             | 60   | 1 1/2"         | 73   | 142 |
| 2"    | DN 50 | 120             | 79   | 2"             | 82.6 | 156 |
| 2.5"  | DN 65 | 120             | 96   | 2 1/2"         | 114  | 168 |