

HBF

series

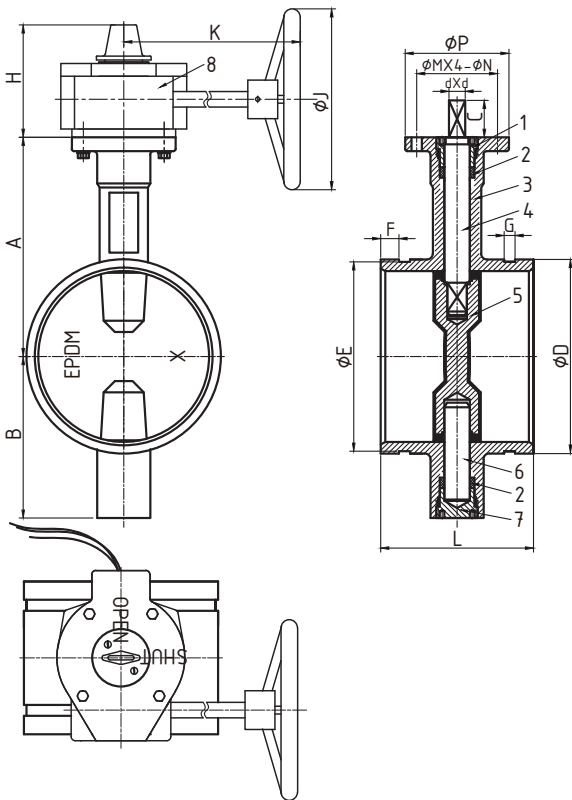


UL Butterfly Valve – Grooved Ends

- Size: 2"(DN50) to 12"(DN300)
- Working Pressure: 300 PSI
- Test Pressure: 600 PSI
- Working Temp.: 0°C to 80°C (32°F to 176°F)
- Valve Standard: UL1091&ULC/ORD-C1091
- Top Flange Standard: ISO 5211
- Connection Standard: ANSI/AWWA C606
- Test Standard: UL1091&ULC/ORD-C1091



HBF-300G



| ITEM | PARTS | MATERIAL |
|------|-------------------------|----------|
| 1 | UPPER SHAFT SEALING NUT | WCB |
| 2 | SHAFT SEAL | EPDM |
| 3 | BODY | DI |
| 4 | UPPER SHAFT | SS416 |
| 5 | DISC | DI+EPDM |
| 6 | LOWER SHAFT | SS416 |
| 7 | LOWER SHAFT SEALING NUT | WCB |
| 8 | SIGNAL GEARBOX | DI |

| SIZES | | DIMENSIONS (MM) | | | | | | | | | | | | | | |
|-------|--------|-----------------|-----|----|-------|-------|------|------|-----|-----|-----|-----|-----|----|----|-------|
| Inch | mm | A | B | C | D | E | F | G | H | K | J | P | M | N | d | L |
| 2.5" | DN 65 | 125 | 95 | 32 | 76.1 | 72.1 | 15.9 | 7.9 | 111 | 234 | 152 | 90 | 70 | 9 | 10 | 96.4 |
| 3" | DN 80 | 140 | 100 | 32 | 88.9 | 84.9 | 15.9 | 7.9 | 111 | 234 | 152 | 90 | 70 | 9 | 11 | 97 |
| 4" | DN 100 | 160 | 100 | 32 | 114.3 | 110.1 | 15.9 | 9.5 | 111 | 234 | 152 | 90 | 70 | 9 | 14 | 115.1 |
| 5" | DN 125 | 170 | 125 | 32 | 141.3 | 137 | 15.9 | 9.5 | 111 | 234 | 152 | 90 | 70 | 9 | 14 | 132.4 |
| 6" | DN 150 | 190 | 140 | 32 | 168.3 | 164 | 15.9 | 9.5 | 111 | 234 | 200 | 90 | 70 | 9 | 16 | 132.4 |
| 8" | DN 200 | 230 | 175 | 32 | 219.1 | 214.6 | 19 | 11.1 | 126 | 230 | 290 | 125 | 102 | 12 | 19 | 147.4 |
| 10" | DN 250 | 260 | 200 | 45 | 273 | 268.3 | 19 | 12.7 | 126 | 230 | 290 | 125 | 102 | 12 | 22 | 159 |
| 12" | DN 300 | 300 | 240 | 45 | 324 | 318.3 | 19 | 12.7 | 161 | 249 | 350 | 150 | 125 | 14 | 24 | 165 |