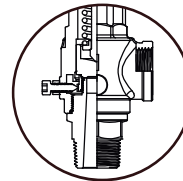
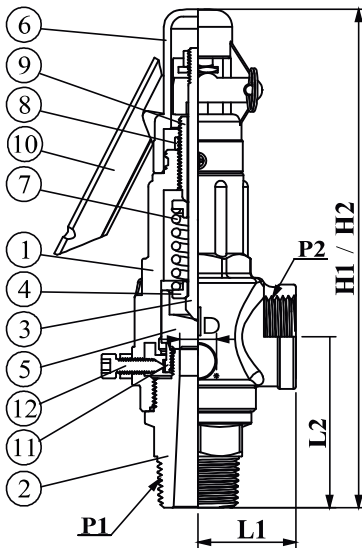


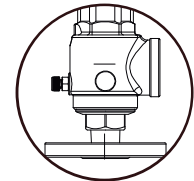
series

Full Bore Safety Valve - High Pressure

- Size: 1/2"(DN15) to 2"(DN50)
- Working Pressure: 0.1 to 110 bar
- Working Temp.: -196°C to 350°C
- Connection Standard:
NPT/PT/BSPP/BSPT/ANSI/JIS/PN.....etc.



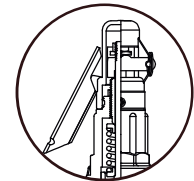
HSU2



HSU3



HSU29



HSU20

ITEM	PARTS	MATERIAL			
		HSU29	HSU20	HSU39	HSU30
1	VALVE BODY		SS304 / SS316		
2	VALVE SEAT		SS304 / SS316		
3	SPINDLE		STEEL		
4	SPRING SEAT		STEEL		
5	DISC		SS304 / SS316		
6	CAP		SS304		
7	SPRING		SS304		
8	NUT		SS304		
9	ADJUSTING SCREW		SS304		
10	LOWRING		SS304		
11	FIX SCREW		SS304		
12	HANDLE	-	SS304	-	SS304

DIMENSIONS (MM)													
P1 INLET	P2 OUTLET	D ORIFICE DIAMETER	A ORIFICE AREA (MM²)	LIFT	L1	HST29		HST20		HST39		HST30	
						L2	H1	L2	H2	L2	H1	L2	H2
1/2"	1"	15	176.6	1.04	41.25	65.5	177.5	65.5	199.5	70.5	182.5	70.5	204.2
3/4"	1"	19.5	298.5	1.52	41.25	65	177	65	199	70	182	70	204
1"	1"	21	346.2	2	41.25	70.5	182.5	70.5	204.5	75.5	187.5	75.5	209.5
1"	2"	25	490.6	2.52	65	100.3	260.5	100.3	284	105.3	265.5	105.3	289
1 1/4"	2"	33	854.9	2.56	65	100.8	261	100.8	284.5	106.8	267	106.8	209.5
1 1/2"	2"	39	1194.0	3.04	65	101.3	261.5	101.3	285	107.3	267.5	107.3	291
2"	2"	39	1194.0	4	65	104.3	264.5	104.3	288	110.3	270.5	110.3	294