



I STYLE WATER HAMMER ARRESTER



Patent Number : 140580

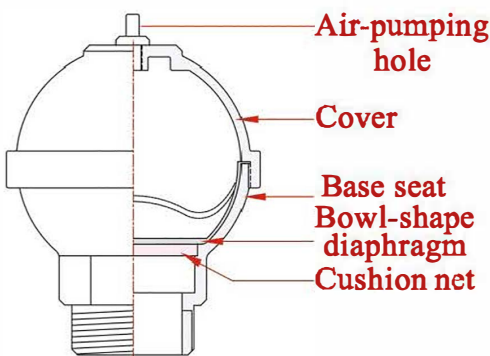
- ▶ If the fluid is acid/alkaline or oil, the air bag made of special material should be applied.
- ▶ Vertical, horizontal and upside-down installation is acceptable.
- ▶ Please contact us for special fluid and temperature.
- ▶ Normal air chamber pressure : 2.5 kgf/cm²
- ▶ Diaphragm material : NBR & Viton

- ▶ **Applied conditions: Fluid**
- ▶ **Applied temperature: -15 ~ 80°C**
- ▶ **Diaphragm material: NBR & Viton**
- ▶ **Normal air chamber pressure: 2.5 kgf/cm²**

- ▶ **The test pressure of valve body:**
 Ductile Iron & Bronze : 21 kgf/cm²
 Stainless Steel 304 : 30 kgf/cm²

- ▶ **Maximum applied pressure:**
 Ductile Iron & Bronze : 12 kgf/cm²
 Stainless Steel 3 0 4 : 20 kgf/cm²

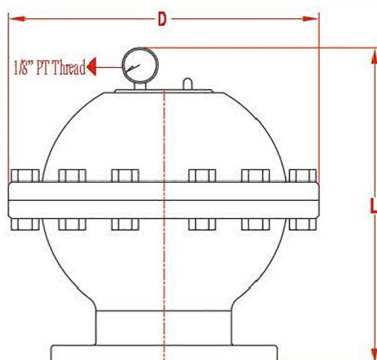
(1 kgf/cm²=14.2psi)



▲ Thread end(AIT)
Without Pressure Gauge

(Thread end)

Item No	Thread(PT)	L (mm)	D (mm)	Weight(kg)	Air Chamber(cm ³)
AIT-15	1/2"	91	46	0.3	17
AIT-20	3/4"	95	55	0.4	30
AIT-25	1"	110	64	0.5	65
AIT-40	1.5"	133	92	1.4	250
AIT-50	2"	175	135	3.2	650
AIT-65	2.5"	200	155	3.9	1125
AIT-80	3"	218	210	9	2000
AIT-100	4"	270	260	14	4400



▲ Flang end (AIF)
With Pressure Gauge

(Flange end)

Item No	Flange	L (mm)	D (mm)	Weight (kg)	Air Chamber(cm ³)
AIF-80	3"	250	215	18	2465
AIF-100	4"	330	310	31	5535
AIF-125	5"	330	330	32	5535
AIF-150	6"	420	400	67	15325
AIF-200	8"	510	460	93	27230
AIF-250	10"	510	460	103	27230
AIF-300	12"	620	625	198	67860