

W-BFR

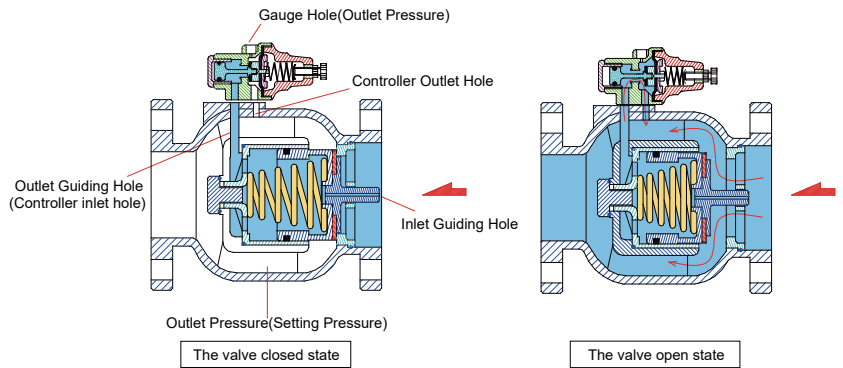
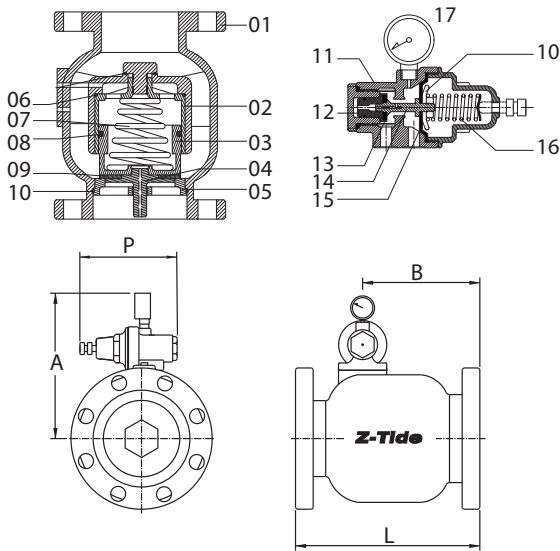
series

WRAS PILOT CONTROL PRESSURE REDUCING VALVE

- Applicative units for :
Drinking Water, Beverage and Food Processing Industries.
- Size: 2"(DN50) to 12"(DN300)
- Maximum Applied Pressure :
Stainless Steel 304 : 25 BAR ;
Ductile Iron : 20 BAR ; Cast Iron : 12 BAR
- Adjusting Range : 1 to 7 BAR ; 4 to 12 BAR
- Test Pressure : 30 BAR
- Working Temperature : 0°C to 80°C
- Original Design
- Connection Standard : ANSI / PN / JIS



W-BFR



ITEM	PARTS	MATERIAL
1	MAIN BODY	STAINLESS STEEL / DUCTILE IRON / CAST IRON
2	CYLINDER	STAINLESS STEEL CF8
3	PISTON	STAINLESS STEEL CF8
4	SHAFT	STAINLESS STEEL CF8
5	SEAT	STAINLESS STEEL CF8
6	O-RING	WRAS EPDM
7	SPRING	STAINLESS STEEL 304
8	U-RING	WRAS EDPM
9	SEALING	WRAS EDPM
10	O-RING	WRAS EPDM
11	PILOT VALVE	STAINLESS STEEL CF8
12	PILOT PLUG	STAINLESS STEEL 304
13	PILOT SEALING	WRAS EDPM
14	PILOT SHAFT	STAINLESS STEEL 304
15	PILOT DIAPHRAGM	WRAS EPDM
16	PILOT SPRING	SPRING STEEL
17	PRESSURE GAUGE	STAINLESS STEEL

SIZE		DIMENSION (MM) ANSI 150 / PN 16					
Inch	mm	A	B	L	Weight(kg)	P	
2"	DN 50	180	125	190	12	123	
2.5"	DN 65	185	135	210	14	123	
3"	DN 80	200	145	225	19	123	
4"	DN 100	225	160	250	26	123	
6"	DN 150	260	170	310	50	123	
8"	DN 200	265	280	420	94	123	
10"	DN 250	330	320	470	152	123	
12"	DN 300	360	360	535	202	123	