



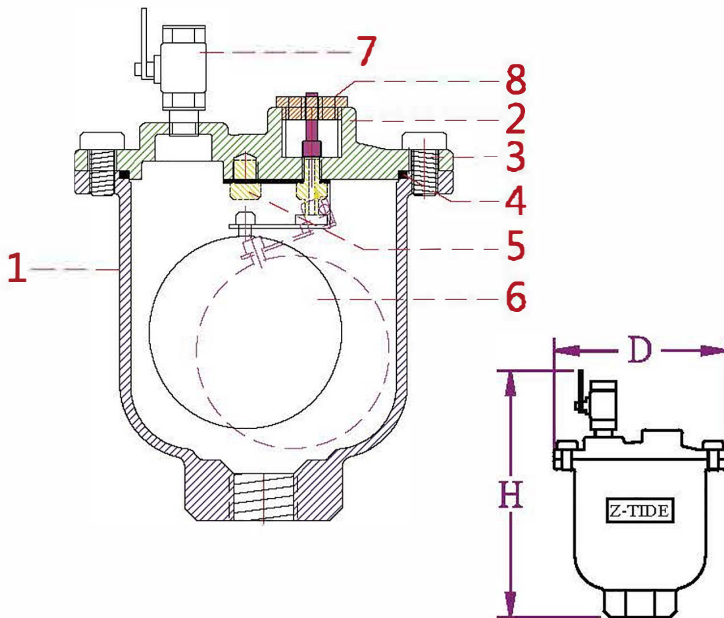
# AIR RELEASE VALVE FOR FIRE FIGHTING



Air release valve can efficiently evacuate the air in the pipe to reduce the noise or the interference which causes by air.

Air release valve can only be installed vertically.  
Installing air release valve at the highest part of pipe line will recommend.

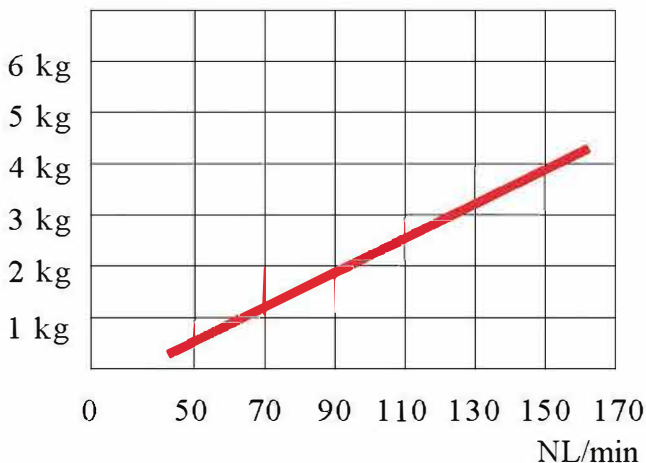
- ▶ Valve Body Testing Pressure: 32 kgf/cm<sup>2</sup>
- ▶ Valve Seat Testing Pressure: 25 kgf/cm<sup>2</sup>
- ▶ Maximum Applied Pressure: 20 kgf/cm<sup>2</sup>
- ▶ Maximum Applied Temperature: -15°C~80°C
- ▶ Materials of valve body: Ductile Iron, Stainless Steel
- ▶ Applied Conditions: Water
- ▶ With ball valve for manual air release and with check valve



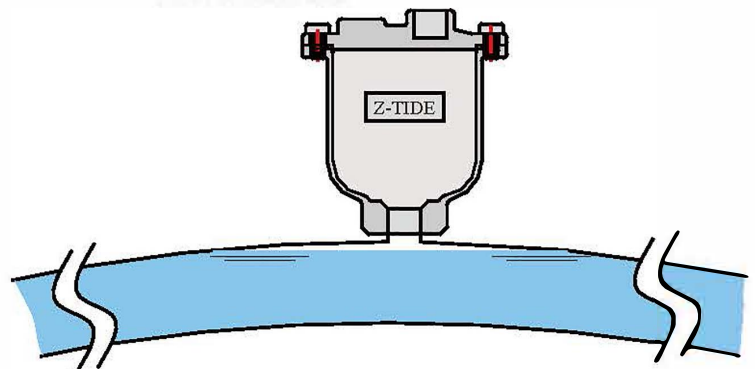
No	Part Name	Material	
1	Body	Ductile Iron	Stainless Steel
2	Cover	Ductile Iron	Stainless Steel
3	Fixed Bolt	Galvanized Iron	Stainless Steel
4	Sealing	NBR	NBR
5	Plug	Stainless Steel	Stainless Steel
6	Float Ball Set	Stainless Steel	Stainless Steel
7	Ball Valve	Brass	Brass
8	Check Valve	Brass	Brass

Item No	Size	D(mm)	H(mm)	Weight(kg)
ATR-15-S	1/2"	120	192	2.5
ATR-20-S	3/4"	120	192	2.5
ATR-25-S	1"	120	192	2.5
ATR-40-S	1 1/2"	190	270	4.5
ATR-50-S	2"	190	270	4.5

Gate Full Open, Normal atmospheric temperature



★ For Size 1 1/2" and 2", only available in Ductile Iron



Installing air release valve at the pipe line where gather easily the air.