



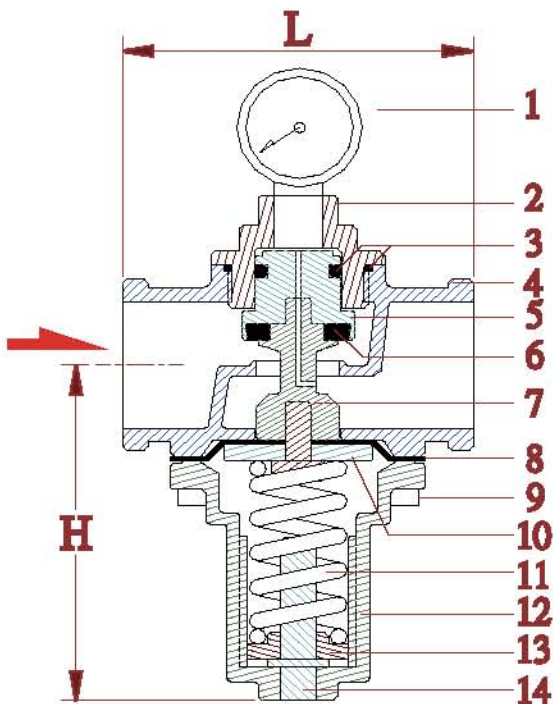
## DIRECT-ACTIVATED PRESSURE REDUCING VALVE ( Titanium - Offshore )

- ▶ Valve Body is made by Titanium, suitable for chemical, oil & gas, sea water, drink water, food, air, steam ...etc.
- ▶ The gate is balanced-pressure designed, which will not influence the outlet pressure caused by unstable inlet pressure.
- ▶ When the outlet pressure responds directly to the pressure control chamber and adjusts the setting pressure, it responds quickly and adjusts the pressure accurately.
- ▶ Design of piston and diaphragm improves the inability of sustaining pressure and leakage.



- ▶ **Body Testing Pressure : 24 kgf/cm<sup>2</sup>**
- ▶ **Max Applied Pressure : 16 kgf/cm<sup>2</sup>**
- ▶ **Adjusting Range : 1 ~ 6 kgf/cm<sup>2</sup>  
4 ~ 10 kgf/cm<sup>2</sup>**
- ▶ **Applied Temperature : -15 ~ 180 c°**

No	Part Name	Material
1	Pressure Gauge	Stainless Steel
2	Upper Cover	Titanium
3	U-Ring	Viton(Teflon Coating)
4	Main Body	Titanium
5	Piston	Titanium
6	Sealing Spacer	Viton / Teflon
7	Shaft	Titanium
8	Diaphragm	CR Rubber(Teflon Coating)
9	Fixed Bolt	Titanium
10	Washer	Stainless Steel 304
11	Spring	Spring Steel
12	Spring Cover	Titanium/SS316
13	Washer	Stainless Steel 304
14	Adjusting Stem	Stainless Steel 304



(Thread End)					
Item No	Size	H(mm)	L(mm)	Weight(kg)	CV
RDT-15	1/2"	70	60	0.32	2
RDT-20	3/4"	70	70	0.40	6
RDT-25	1"	80	80	0.64	8
RDT-32	1.25"	85	90	1.20	16
RDT-40	1.5"	110	110	2.00	18
RDT-50	2"	115	115	2.40	21