



DIRECT-ACTIVATED PRESSURE REDUCING VALVE (Stainless Steel 316)

- ▶ Valve Body is made by Stainless Steel #316, suitable for fluid, air and steam.
- ▶ The gate is balanced-pressure designed, which will not influence the outlet pressure caused by unstable inlet pressure. Pressure needed from fully-closed gate to fully-opened gate : 1.5 kgf/cm².
- ▶ When the outlet pressure responds directly to the pressure control chamber and adjusts the setting pressure, it responds quickly and adjusts the pressure accurately.
- ▶ Design of piston and diaphragm improves the inability of sustaining pressure and leakage.



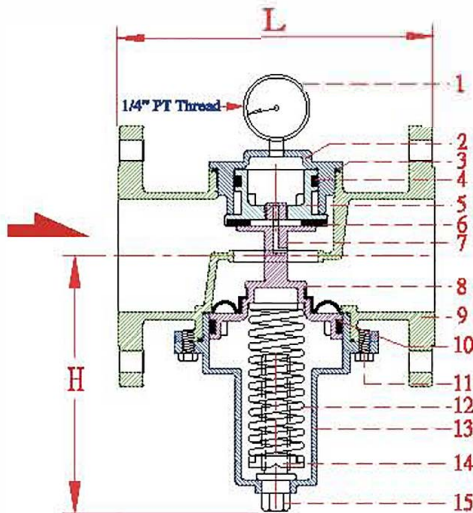
▶ Pressure Adjusting Range : 1 ~ 6 kgf/cm²
(1 kgf/cm² = 14.2 psi) 4 ~ 10 kgf/cm²
8 ~ 13 kgf/cm²

▶ Applied Temperature : -15 ~ 100°C
100 ~ 150°C (For steam)

▶ Valve Body Testing Pressure : 35 kgf/cm²
▶ Maximum Applied Pressure : 25 kgf/cm²

▶ Please cover steam pipelines with thermal materials

© Special order can be arranged for higher pressure adjustment range.



No	Part Name	Material
1	Pressure Gauge	Stainless Steel
2	Upper Cover	Stainless Steel 316
3	O-ring	NBR / Viton / Teflon
4	U-ring	NBR / Viton
5	Piston	Stainless Steel 316
6	Sealing Spacer	NBR / Viton / Teflon
7	Shaft	Stainless Steel 316
8	Diaphragm	NBR / Viton
9	Main Body	Stainless Steel 316
10	UH-ring	NBR / Viton
11	Fixed Bolt	Stainless Steel 304
12	Spring	Spring Steel
13	Lower Cover	Stainless Steel 316
14	Washer	Brass
15	Adjusting Stem	Stainless Steel 304

(Thread End)

Item No	Size	H(mm)	L(mm)	Weight(kg)	CV
RET15-S	1/2"	80	70	0.8	2.4
RET20-S	3/4"	105	85	1.0	4.0
RET25-S	1"	105	92	1.1	6.5
RET40-S	1.5"	130	115	2.2	13.0
RET50-S	2"	130	120	3.1	17.0

(Flange End)

Item No	Size	H(mm)	L(mm)	Weight(kg)	CV
REF15-S	1/2"	85	150	2.0	2.4
REF20-S	3/4"	105	150	2.8	4
REF25-S	1"	105	150	3.5	6.5
REF40-S	1.5"	130	190	6.5	13
REF50-S	2"	130	190	8.0	17
REF65-S	2.5"	185	210	14.0	30
REF80-S	3"	185	225	16.0	42
REF100-S	4"	230	250	22.0	75
REF150-S	6"	290	310	45.0	170

