



DIRECT-ACTIVATED PRESSURE RELIEF VALVE

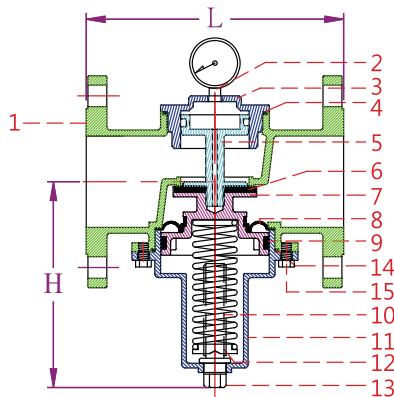
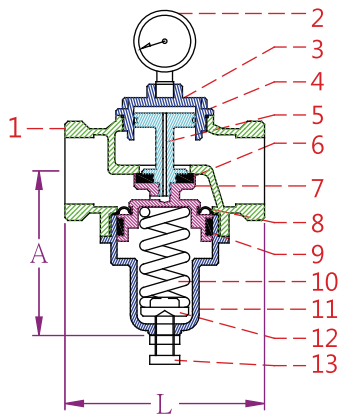


- ▶ The whole set is made by stainless steel #316, and it is suitable for water, steam, acid & alkaline fluid, or oil.
- ▶ Pressure Relief Valve is a safety device for pipes and it is normally closed. When pressure increases to setting value, pressure relief valve rapidly releases the over high pressure. When pressure returns to safety value, pressure relief valve will automatically close to ensure the safety of equipment.

▶ Pressure Adjusting Range: 1~5 kgf/cm²
 (1 kgf/cm² = 14.2 psi) 4~10 kgf/cm²
 8~13 kgf/cm²

▶ Applied Temperature : -15~100°C
 100~180°C (For Steam)

▶ Valve Body Testing Pressure : 35 kgf/cm²
 ▶ Maximum Applied Pressure : 25 kgf/cm²



No	Part Name	Material
1	Main Body	Stainless Steel 316
2	Pressure Gauge	Stainless Steel
3	Upper Cover	Stainless Steel 316
4	O-Ring	NBR/Viton
5	Shaft	Stainless Steel 316
6	Sealing Spacer	NBR/Viton
7	Seat	Stainless Steel 316
8	Diaphragm	NBR/Viton
9	UH-Ring	NBR/Viton
10	Spring	Stainless Steel
11	Spring Cover	Stainless Steel 316
12	Washer	Brass
13	Adjusting Stem	Stainless Steel 304
14	O-Ring	NBR/Viton
15	Bolt	Stainless Steel 304

(Thread End)

Item No	Size	H(mm)	L(mm)	Weight(kg)	CV
RLT15-S	1/2"	85	70	0.8	2.4
RLT20-S	3/4"	105	85	0.9	4.0
RLT25-S	1"	105	90	1.0	6.5
RLT40-S	1.5"	130	115	2.2	13.0
RLT50-S	2"	130	120	3.1	17.0

(Flange End)

Item No	Size	H(mm)	L(mm)	Weight(kg)	CV
RLF15-S	1/2"	85	150	2.0	2.4
RLF20-S	3/4"	105	150	2.8	4.0
RLF25-S	1"	105	150	3.5	6.5
RLF40-S	1.5"	130	190	5.9	13.0
RLF50-S	2"	130	190	6.5	17.0
RLF65-S	2.5"	185	210	11.5	30.0
RLF80-S	3"	185	225	12.0	42.0
RLF100-S	4"	230	250	19.0	75.0
RLF150-S	6"	290	310	45.0	170.0

Flow Chart of Direct-Activated Pressure Relief Valve

