

HGN

series

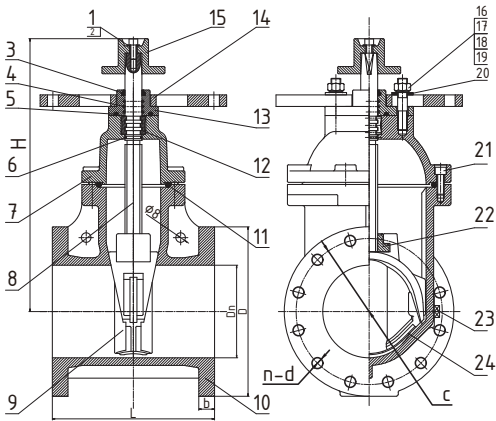


UL NRS Gate Valve – Flange Ends

- Size: 2.5"(DN65) to 12"(DN300)
- Working Pressure: 300 PSI
- Test Pressure: 600 PSI
- Working Temp.: 0°C to 80°C (32°F to 176°F)
- Valve Standard: UL262,ULC/ORD C262-92
- Connection Standard:
ASME/ANSI B16.1 Class 125 or
ASME/ANSI B16.42 Class 150 or
BS EN1092-2 PN16 or GB/T9113.1
- Face to Face Standard: ASME B16.10
- Test Standard: UL262,ULC/ORD C262-92



HGN-300FF



| ITEM | PARTS | MATERIAL |
|------|---------------------|-----------|
| 1 | FLAT WASHER | S. S. 304 |
| 2 | INNER HEXAGON SCREW | S. S. 304 |
| 3 | SEALING GLAND | EPDM |
| 4 | O-RING | EPDM |
| 5 | SEALING RING | EPDM |
| 6 | O-RING | EPDM |
| 7 | BONNET | DI |
| 8 | STEM | S. S. 304 |
| 9 | DISC | EPDM+DI |
| 10 | BODY | DI |
| 11 | SEALING RING | EPDM |
| 12 | RETAINING RING | C954 |
| 13 | GLAND | DI |
| 14 | TERMINAL PAD | DI |
| 15 | LINK BLOCK | DI |
| 16 | NUT | S. S. 304 |
| 17 | STUDS | S. S. 304 |
| 18 | SPRING WASHER | STEEL |
| 19 | WASHER | STEEL |
| 20 | WASHER | STEEL |
| 21 | INNER HEXAGON SCREW | STEEL |
| 22 | MASTERSCREW | C954 |
| 23 | PLUG | C28000 |
| 24 | SKELETON | DI |

| SIZES | | DIMENSIONS (MM) | | | | | |
|-------|--------|-----------------|-----|------|-------|--------|-----|
| Inch | mm | L | D | b | c | n-d | H |
| 2.5" | DN 65 | 190 | 178 | 17.5 | 139.5 | 4-φ19 | 292 |
| 3" | DN 80 | 203 | 191 | 21 | 152.5 | 4-φ19 | 322 |
| 4" | DN 100 | 229 | 229 | 24 | 190.5 | 8-φ19 | 342 |
| 5" | DN 125 | 254 | 254 | 23.9 | 216 | 8-φ22 | 412 |
| 6" | DN 150 | 267 | 279 | 25.4 | 241.5 | 8-φ22 | 448 |
| 8" | DN 200 | 292 | 343 | 28.6 | 298.5 | 8-φ22 | 534 |
| 10" | DN 250 | 330 | 406 | 30.2 | 362 | 12-φ25 | 635 |
| 12" | DN 300 | 356 | 483 | 31.8 | 432 | 12-φ25 | 720 |