

# HANTS® FIRE PROTECTION

UL Wafer Type Butterfly Valve

HBF-300W



## HBF-300W

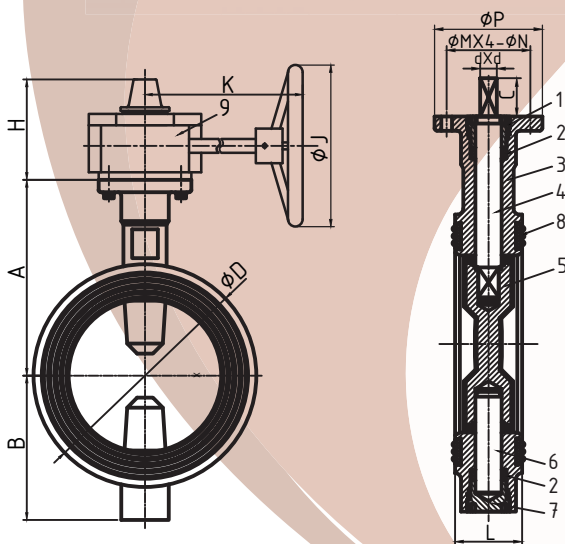
Valve Standard:  
Conforms to API 609

Top/Test Standard:  
ISO 5211 / API 598

Working pressure:  
300PSI

Flanged Ends:  
ANSI B16.1 Class125/150/250,

Size: 2 1/2"(DN65) to 12"(DN300)



NO.	Parts Name	Material
1	Upper Shaft Sealing Nut	WCB
2	Shaft Seal	EPDM
3	Body	Ductile Iron
4	Upper Shaft	SS416
5	Disc	Ductile Iron+EPDM
6	Lower Shaft	SS416
7	Low Shaft Sealing Nut	WCB
8	End Face Seal	EPDM
9	Signal Gearbox	Ductile Iron

Size(mm)	2.5"	3"	4"	5"	6"	8"	10"	12"
A	125	140	160	170	190	230	260	300
B	95	100	100	125	140	175	200	240
D	32	32	32	32	32	32	45	45
C	112	120	165	182	216	260	320	375
H	111	111	111	111	111	126	126	161
K	218	218	218	218	218	232	232	252
J	152	152	152	152	200	300	300	300
P	90	90	90	90	90	125	125	150
M	70	70	70	70	70	102	102	125
N	9	9	9	9	9	12	12	14
d	10	11	14	14	16	19	22	24
L	44.2	45.3	52	54.4	55.8	60.5	66.5	76.9