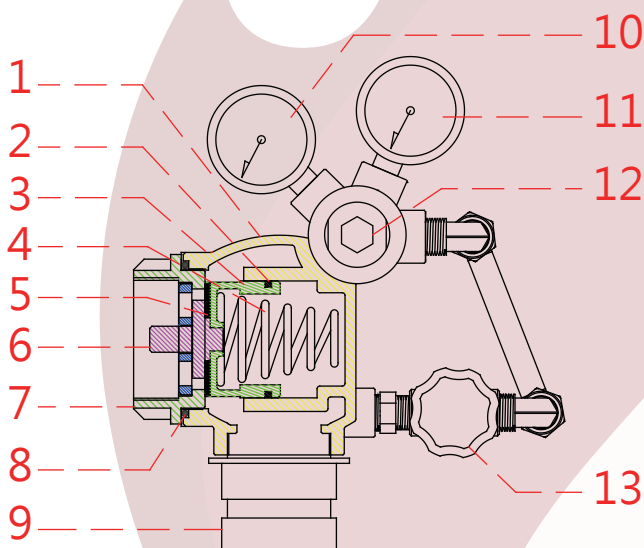




HRT

Fire Hydrant Pressure Control Valves serves as a pressure control valve connection between a high pressure water supply and fire hoses. The valve has a female fire hose connection on the inlet side of the valve and male hose on the outlet side. The valve is available for 1 1/2" and 2 1/2" threaded end connections.

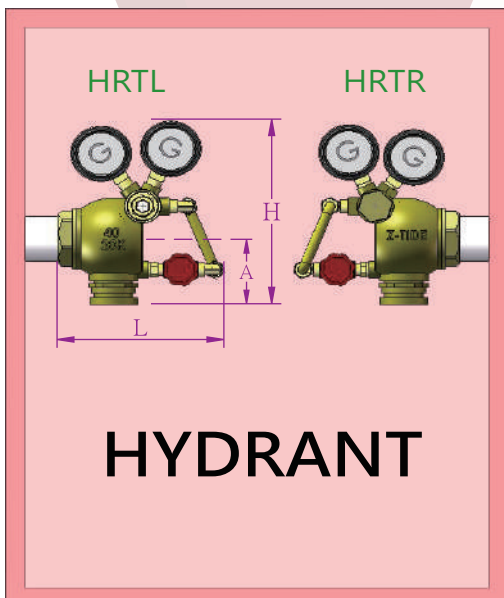
Z-Tide Fire Hydrant Pressure Reducing Valve can control pressure right down to shutoff.



- ▶ Size Range: DN40 /DN65 (1.5" / 2.5")
- ▶ Test / Working Pressure: 32 Bar / 16 Bar
- ▶ Connections : Threaded End
- ▶ Suitable Media : For Water
- ▶ Adjust Range: 30~100 psi (2~7 Bar)

•1 kgf/cm² = 0.98 Bar

NO.	Part Name	Material
1	Body	Bronze
2	U-Ring	NBR
3	Piston	Bronze
4	Spring	Spring Steel
5	Sealing	NBR
6	Shaft	Bronze
7	Cover	Bronze
8	O-Ring	NBR
9	Quick Connectors	Brass
10	Pressure Gauge(Inlet)	Iron
11	Pressure Gauge(Outlet)	Iron
12	Adjust Pilot	Brass
13	Needle Valve	Brass



Model	Size	L(mm)	A(mm)	H(mm)
HRT-40	DN40	160	76	200
HRT-65	DN65	200	102	230